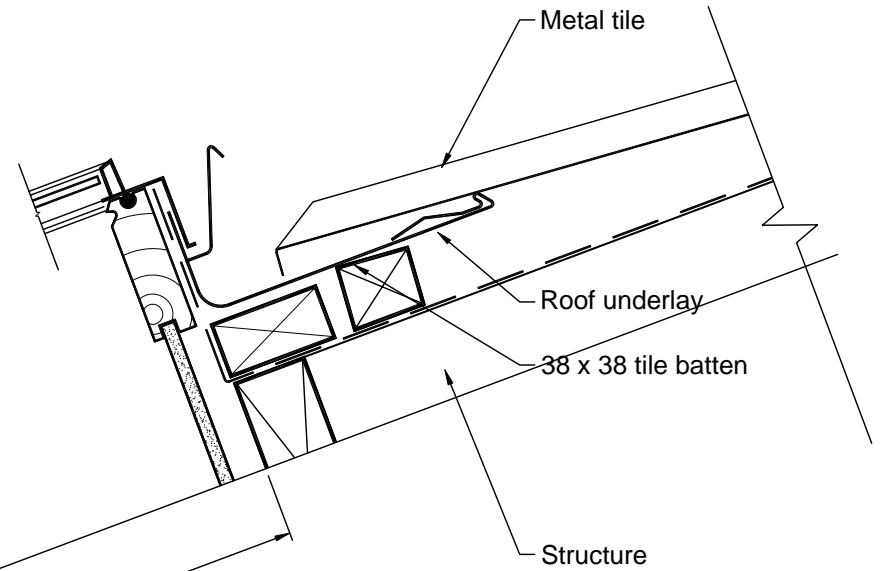
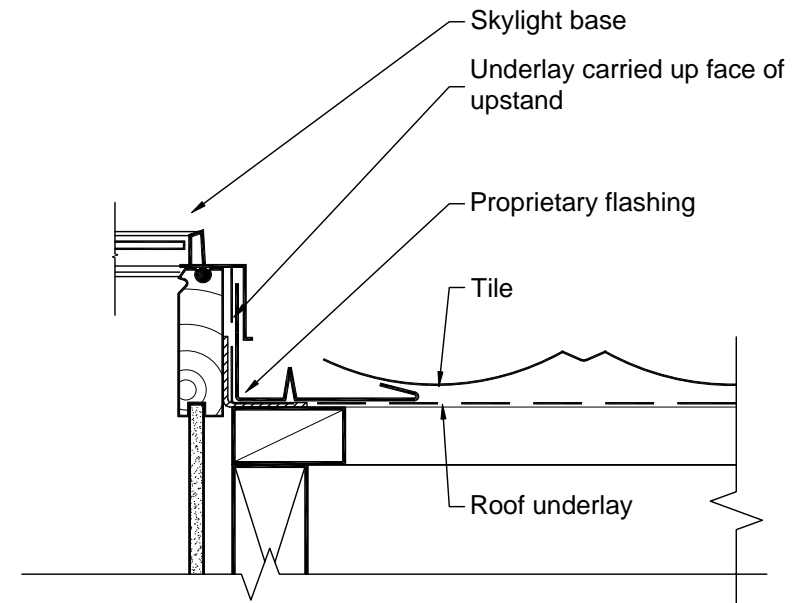


Skylight
Proprietary flashing



Section Down
Scale 1:5

38 x 38 tile batten
Structure
Roof underlay
Concrete tile



Section Across
Scale 1:5