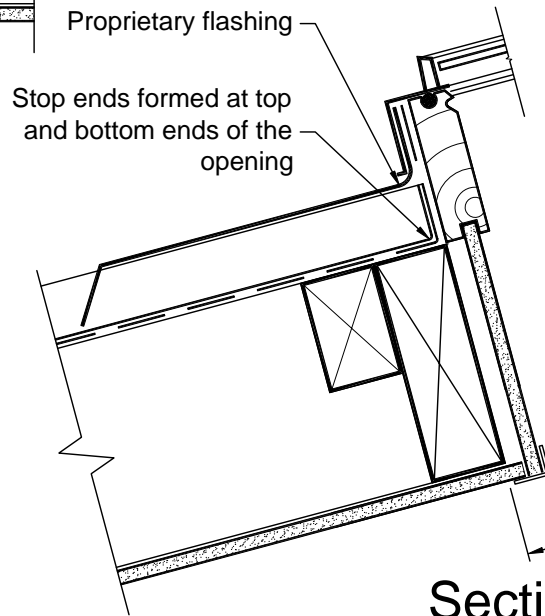
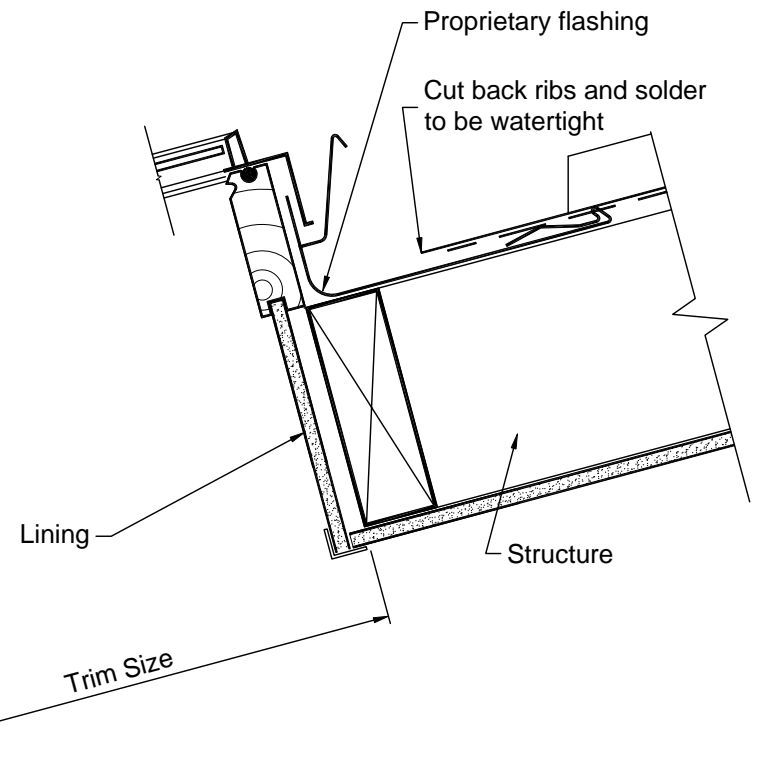


Side Section



Proprietary flashing  
Stop ends formed at top  
and bottom ends of the  
opening



Section - Minimum Slope Roof 15°

Scale 1:5